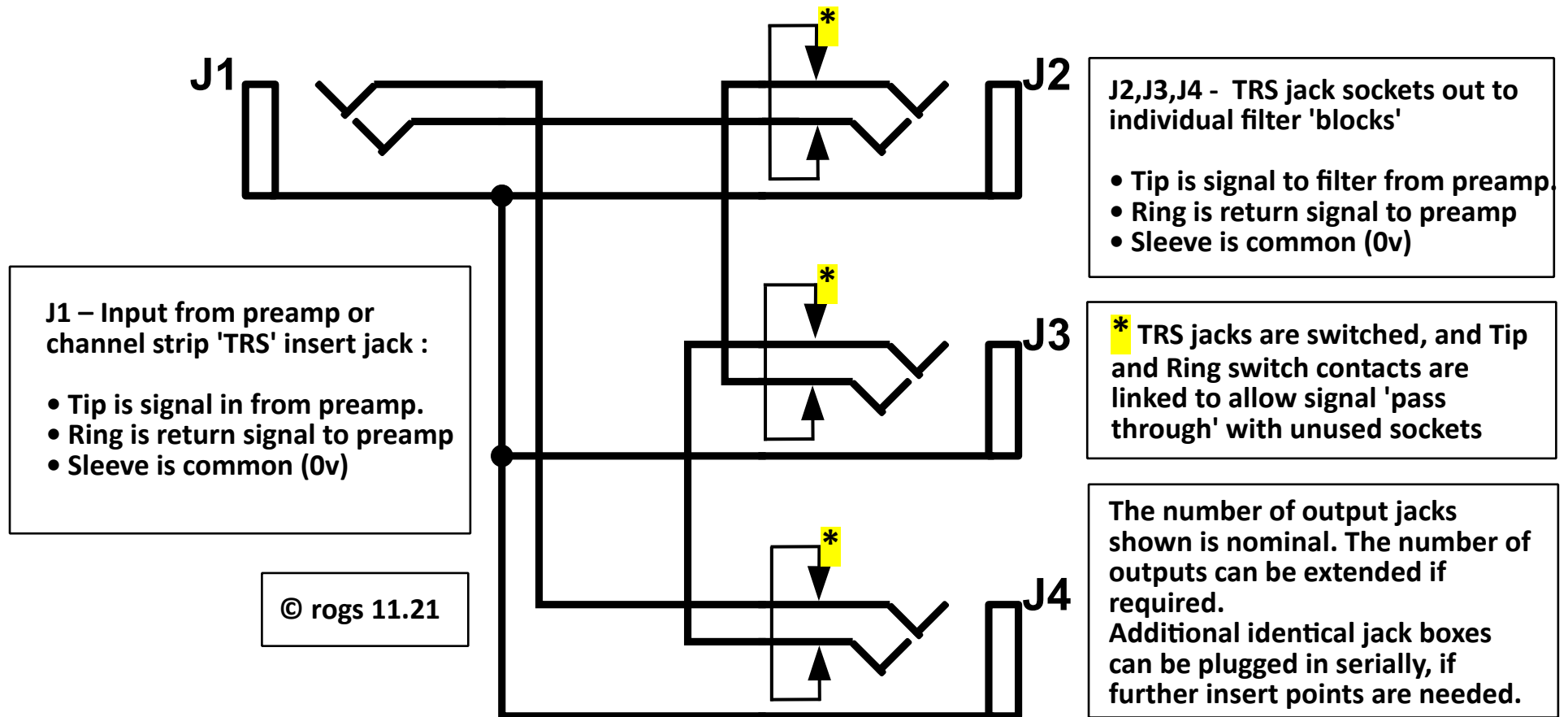
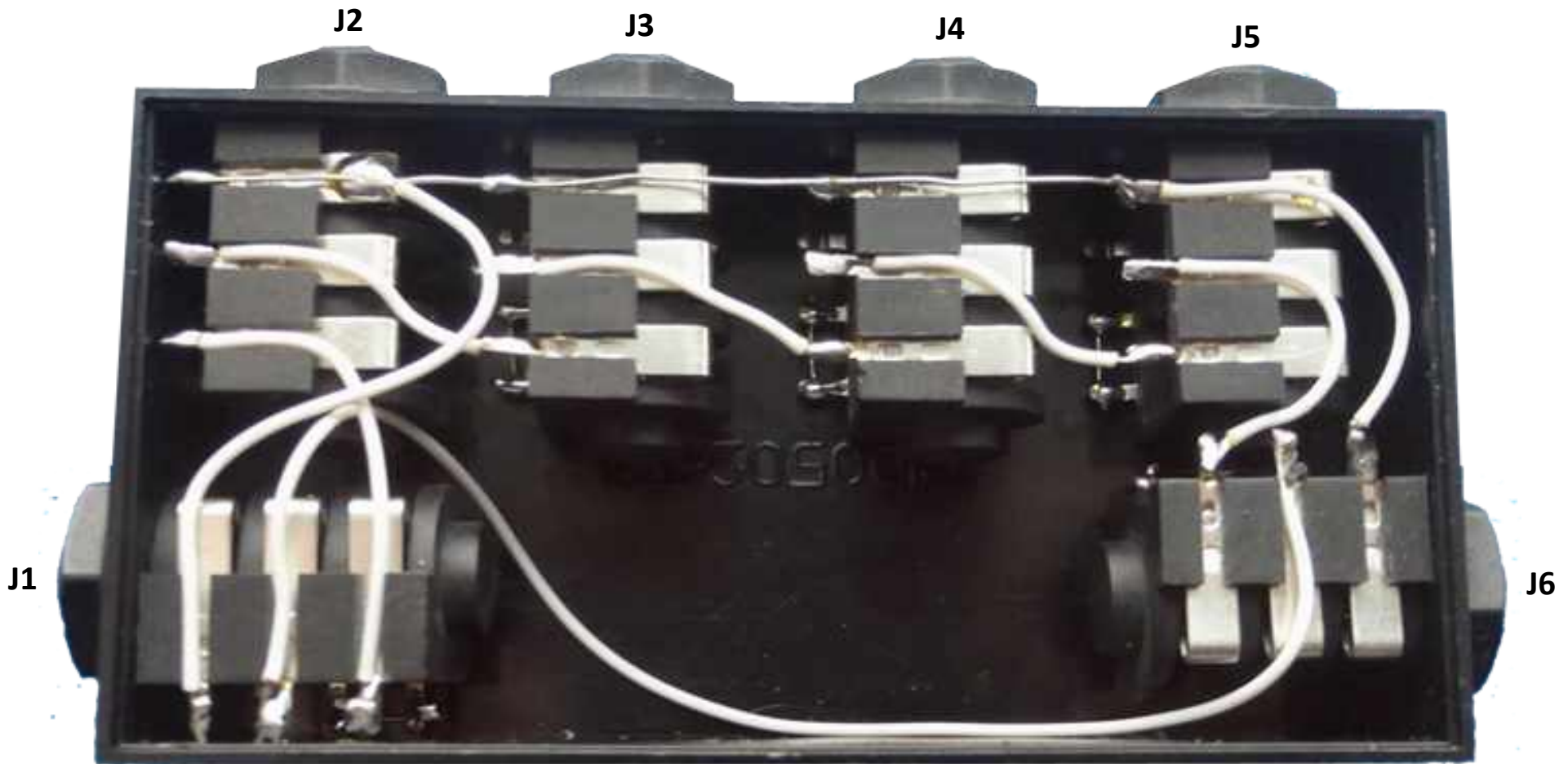


Jack socket routing between mic preamp TRS insert jack and remote CEQ audio filter modules





'Insert Jack' Expansion Router – wiring details

- J1 (on the far left) TIP is connected to TIP of J2 (top left)
- The RING of J2 is connected to the TIP of J3
- The RING of J3 is connected to the TIP of J4....And so on.
- The RING of the final jack (J6) is connected to the RING of J1 (signal return path).
- The SLEEVE connections of ALL jack sockets are connected together.
- The TIP and RING 'switch' terminals on each individual jack are linked

©rogs 11.21